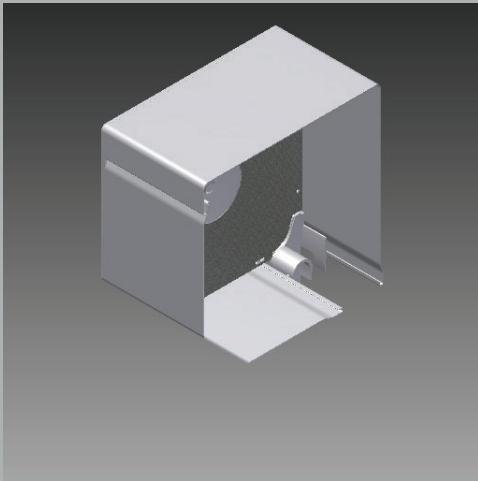


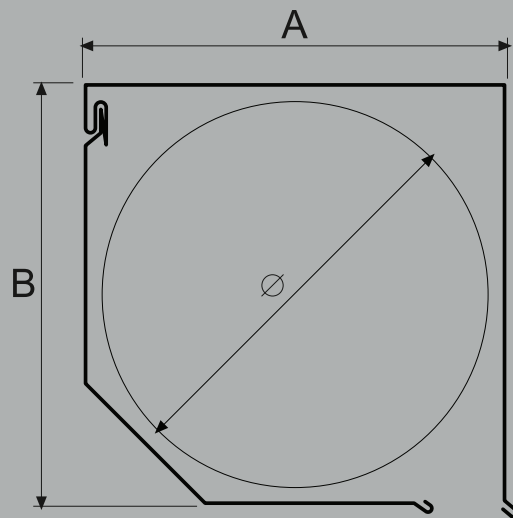
Aluminium sheet Box



Model C

This system is installed externally and is easy to mount and maintain.

Its operation is achieved either with a strap, a cord, a hand crank or an electrical mechanism.



A/a	Dimensions (mm)		Ø
	A	B	
1	137	137	132
2	165	165	160
3	180	180	175
4	205	205	200
5	304	304	295

